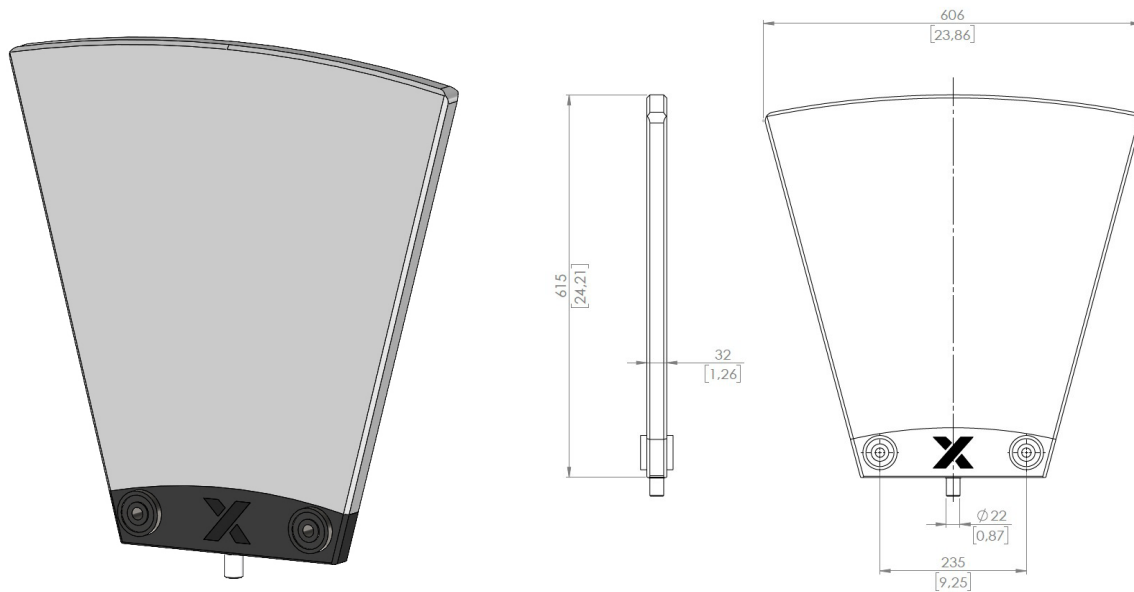


TECHNICAL DATASHEET

Ceramic Disc Filter Element 6 m²

Roxia ceramic disc filter element for filters with 6 m² discs.



Feature	Value	Unit
Material	aluminium oxide	
Plate type	membrane plate	
No. of plates per disc	12	pcs
Pore sizes available	2 and 5	µm
Filtration area	0,5	m ²
Plate weight	17,5	kg
Plate thickness	32	mm