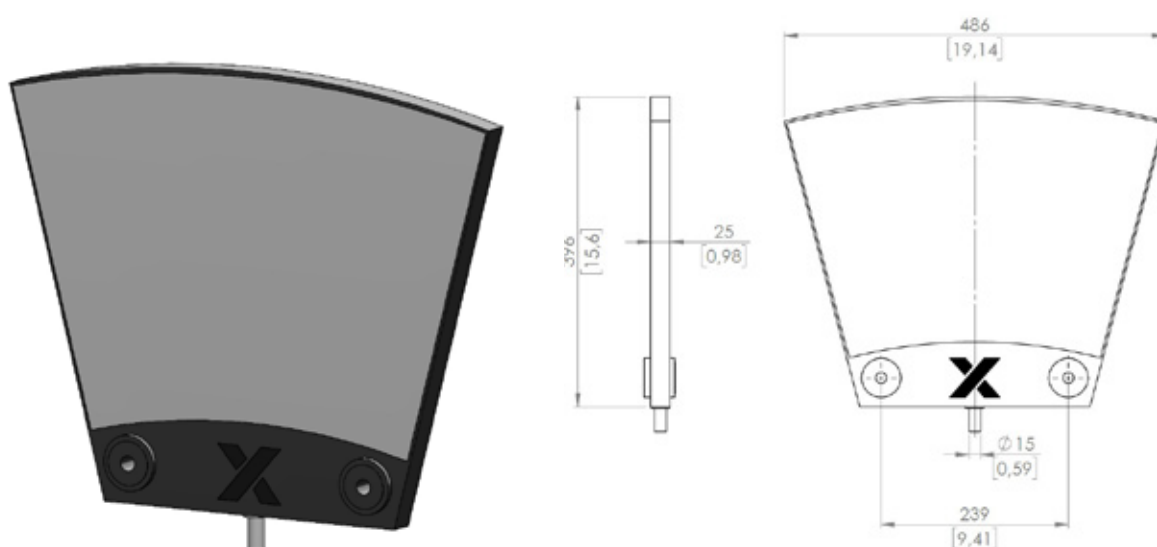


TECHNICAL DATASHEET

Ceramic Disc Filter Element 3 m²

Roxia ceramic disc filter element for filters with 3 m² discs.



CD filter plate properties

Feature	Value	Unit
Material	Aluminium Oxide	
Type	Membrane plate	
No. of plates per disc	12	pcs
Disc outer diameter	1920	mm
Plate weight	7.5	kg
Filtration area per plate	0.25	m ²
Pore sizes available	0.85, 1.25, 2, 5	µm
Plate thicknesses available	24, 25, 30	mm