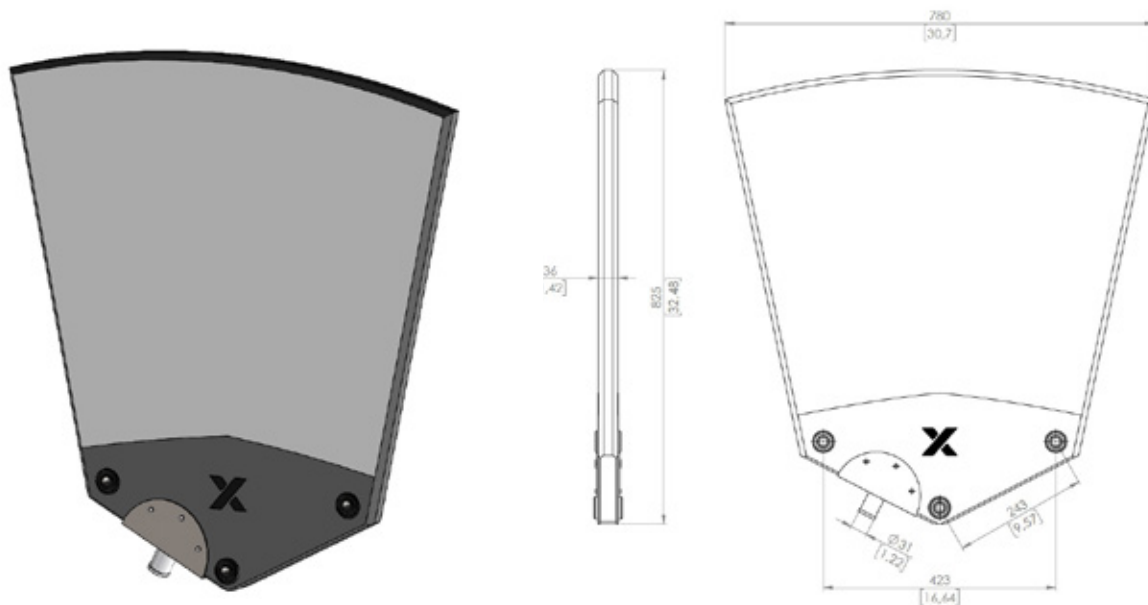


TECHNICAL DATASHEET

# Ceramic Disc Filter Element 12 m<sup>2</sup>

Roxia ceramic disc filter element for filters with 12 m<sup>2</sup> discs.



Feature	Value	Unit
Material	Aluminium Oxide	
Type	Membrane plate	
No. of plates per disc	15	pcs
Disc outer diameter	3800	mm
Plate weight	34	kg
Filtration area per plate	0.8	m <sup>2</sup>
Pore sizes available	2	µm
Plate thicknesses available	36	mm